

# DC Spur Gear Motor

WENZHOU ZHENGKE ELECTROMOTOR CO.,LTD

## ZGA32RB Series Ø32mm

### Motor features:

- Metal gears
- Good reliability
- Sleeve bearing

### Typical application:

- Door locks
- Monitor cameras
- Ticket selling
- Electric Curtain

### Gear Motor Data:

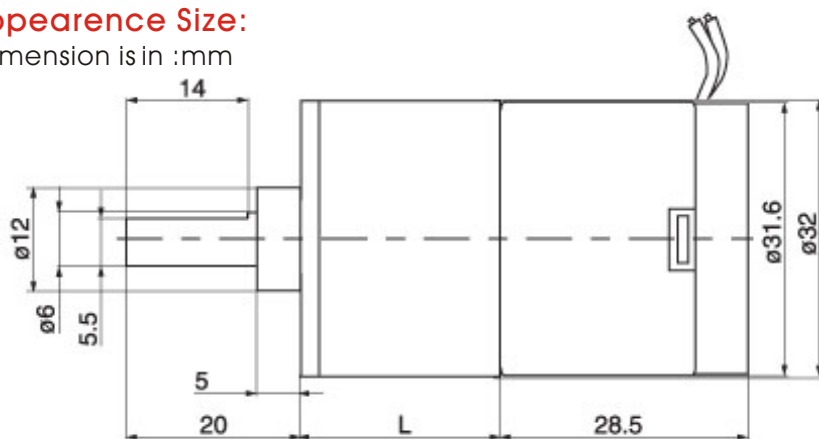


Part. number	Voltage	No-load speed	No-load Current	Rated speed	Rated current	RateTorque	Stall Torque	Gearbox Length
	VDC	RPM	AMP	RPM	AMP	Kg.cm	Kg.cm	MM
ZGA32RB-1250-6	12V	868	0.02	659	0.17	0.08	0.10	23
ZGA32RB-1250-14	12V	362	0.02	275	0.17	0.19	0.23	23
ZGA32RB-1250-33	12V	151	0.02	115	0.17	0.45	0.56	23
ZGA32RB-1250-80	12V	62	0.02	47	0.17	1.10	1.37	23
ZGA32RB-1250-191	12V	26	0.02	20	0.17	2.34	2.93	25
ZGA32RB-2435-6	24V	608	0.01	462	0.07	0.12	0.18	23
ZGA32RB-2435-14	24V	254	0.01	193	0.07	0.29	0.43	23
ZGA32RB-2435-33	24V	106	0.01	81	0.07	0.69	1.03	23
ZGA32RB-2435-80	24V	44	0.01	33	0.07	1.66	2.49	23
ZGA32RB-2435-191	24V	18	0.01	14	0.07	3.78	5.67	25

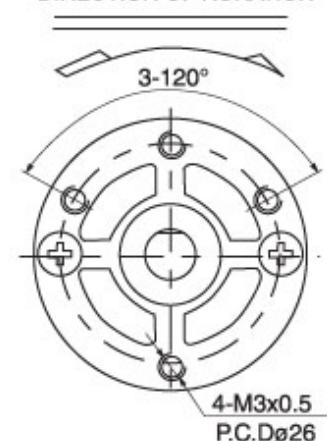
FOR YOUR KIND ATTENTION: The data above is only for your informations, for further more specifications & questions, please contact us at [sales@zhengke.cn](mailto:sales@zhengke.cn)

### Appearance Size:

Demension is in :mm



DIRECTION OF ROTATION



Packing information: 0.16Kg/PC approx, 100PCS/CTN, CTN: 34x37x32CM