

## ZGB37RG Series Ø37mm

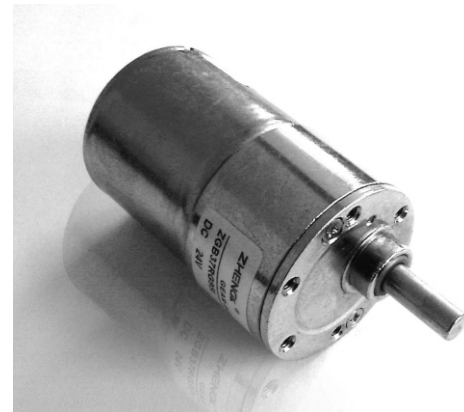
### Motor features:

- Eccentric shaft
- Metal gears
- Economy cost
- Good reliability

### Typical application:

- Electric-drive curtain
- Stage lights
- Massager
- Card-cutting machine

### Gear Motor Data:

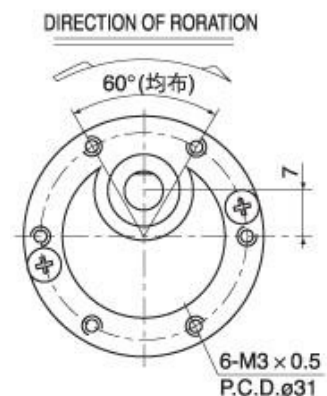
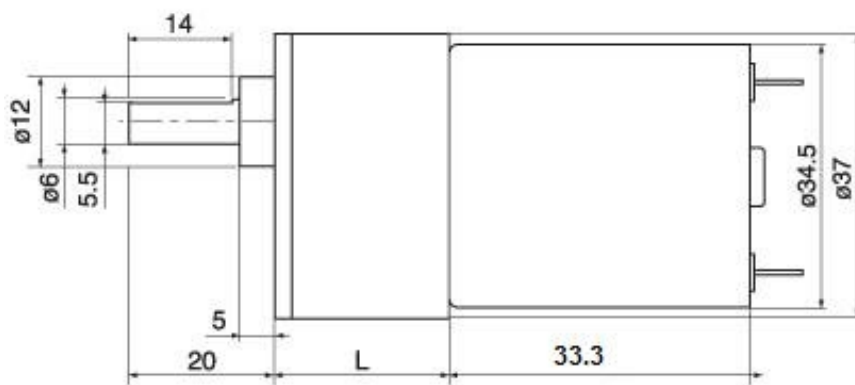


Part.number	Voltage	No-load speed	No-load Current	Rated speed	Rated current	RateTorque	Stall Torque	Gearbox Length
	VDC	RPM	AMP	RPM	AMP	Kg.cm	Kg.cm	MM
ZGB37RG-1250-20	12V	250	0.06	190	0.58	1.16	1.74	23
ZGB37RG-1250-41	12V	123	0.06	94	0.58	2.35	3.53	25
ZGB37RG-1250-83	12V	60	0.06	46	0.58	4.57	6.86	27
ZGB37RG-1250-111	12V	45	0.06	34	0.58	6.12	9.17	27
ZGB37RG-1250-258	12V	19	0.06	15	0.58	13.51	20.26	30
ZGB37RG-2450-20	24V	250	0.03	190	0.34	1.32	1.98	23
ZGB37RG-2450-41	24V	123	0.03	94	0.34	2.68	4.02	25
ZGB37RG-2450-83	24V	60	0.03	46	0.34	5.20	7.81	27
ZGB37RG-2450-111	24V	45	0.03	34	0.34	6.96	10.44	27
ZGB37RG-2450-258	24V	19	0.03	15	0.34	15.37	23.05	30

FOR YOUR KINDATTENTION: The data above is only for your informations, for further more specifications & questions, please contact us at [sales@zhengke.cn](mailto:sales@zhengke.cn)

### Appearance Size:

Demension is in :mm



Packing information:0.20Kg/PC approx,80PCS/CTN,CTN:34x37x32CM