

## ZS-RI Series Ø 33mm

### Motor features:

- Special design
- Metal gears
- Economy cost
- Low noise

### Typical application:

- Massager
- Automatic valve
- Vending machine



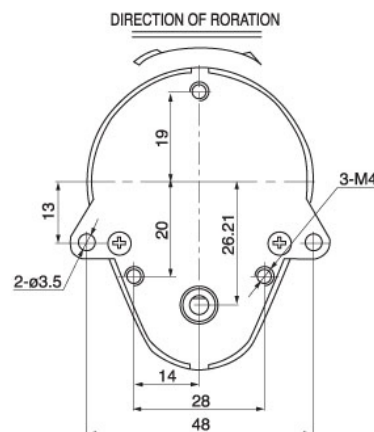
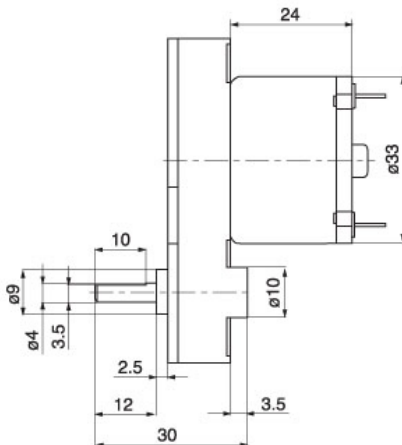
### Gear Motor Data:

Part. number	Voltage	No-load speed	No-load Current	Rated speed	Rated current	RateTorque	Stall Torque	Gearbox Length
	VDC	RPM	AMP	RPM	AMP	Kg.cm	Kg.cm	MM
ZS-RI-0640-8	6V	482	0.07	366	0.62	0.27	0.34	12
ZS-RI-0640-81	6V	49	0.07	37	0.62	2.64	3.31	12
ZS-RI-0640-179	6V	22	0.07	17	0.62	5.82	7.28	12
ZS-RI-1270-8	12V	843	0.03	641	0.33	0.22	0.28	12
ZS-RI-1270-81	12V	86	0.03	65	0.33	2.15	2.69	12
ZS-RI-1270-179	12V	39	0.03	30	0.33	4.74	5.93	12
ZS-RI-2480-8	24V	964	0.03	733	0.30	0.36	0.45	12
ZS-RI-2480-81	24V	98	0.03	75	0.30	3.53	4.41	12
ZS-RI-2480-179	24V	45	0.03	34	0.30	7.76	9.70	12

FOR YOUR KINDATTENTION: The data above is only for your informations, for further more specifications & questions, please contact us at [sales@zhengke.cn](mailto:sales@zhengke.cn)

### Appearance Size:

Demension is in :mm



Packing information:0.20Kg/PC approx,60PCS/CTN,CTN:34x37x32CM